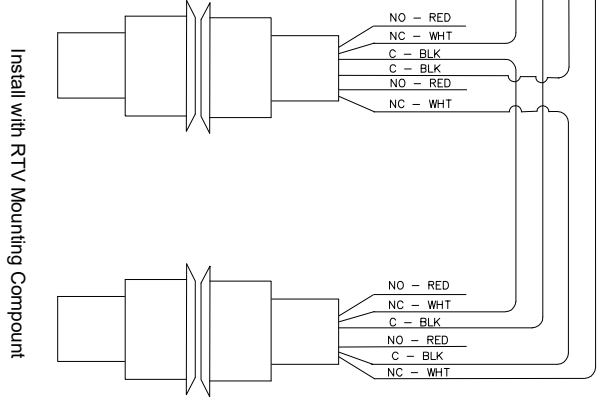
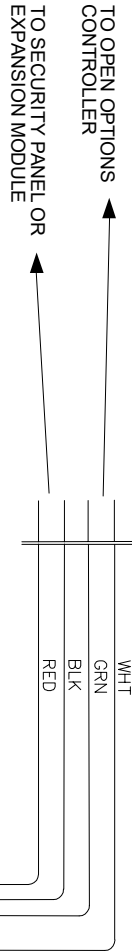
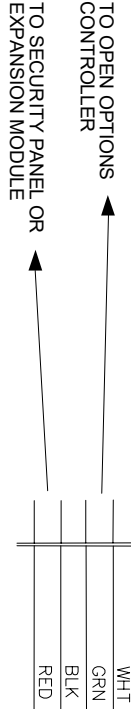


# GE 1076D-N STEEL DOOR CONTACT



Install with RTV Mounting Component

Install with RTV Mounting Component

|                                 |  |  |  |
|---------------------------------|--|--|--|
|                                 |  | <b>FACILITY PLANNING DEPT.</b><br>Asset Management Program |  |
| DRAWN BY: ADH<br>DATE: 04/20/19 |  | SCALE: no scale<br>DWG NO.: 28 31 00-7                     |  |
| CHECKED: DATE                   |  | SHEET: 1 of 1  |  |
| REV: 0                          |  | ELECTRONIC SAFETY AND SECURITY                             |  |