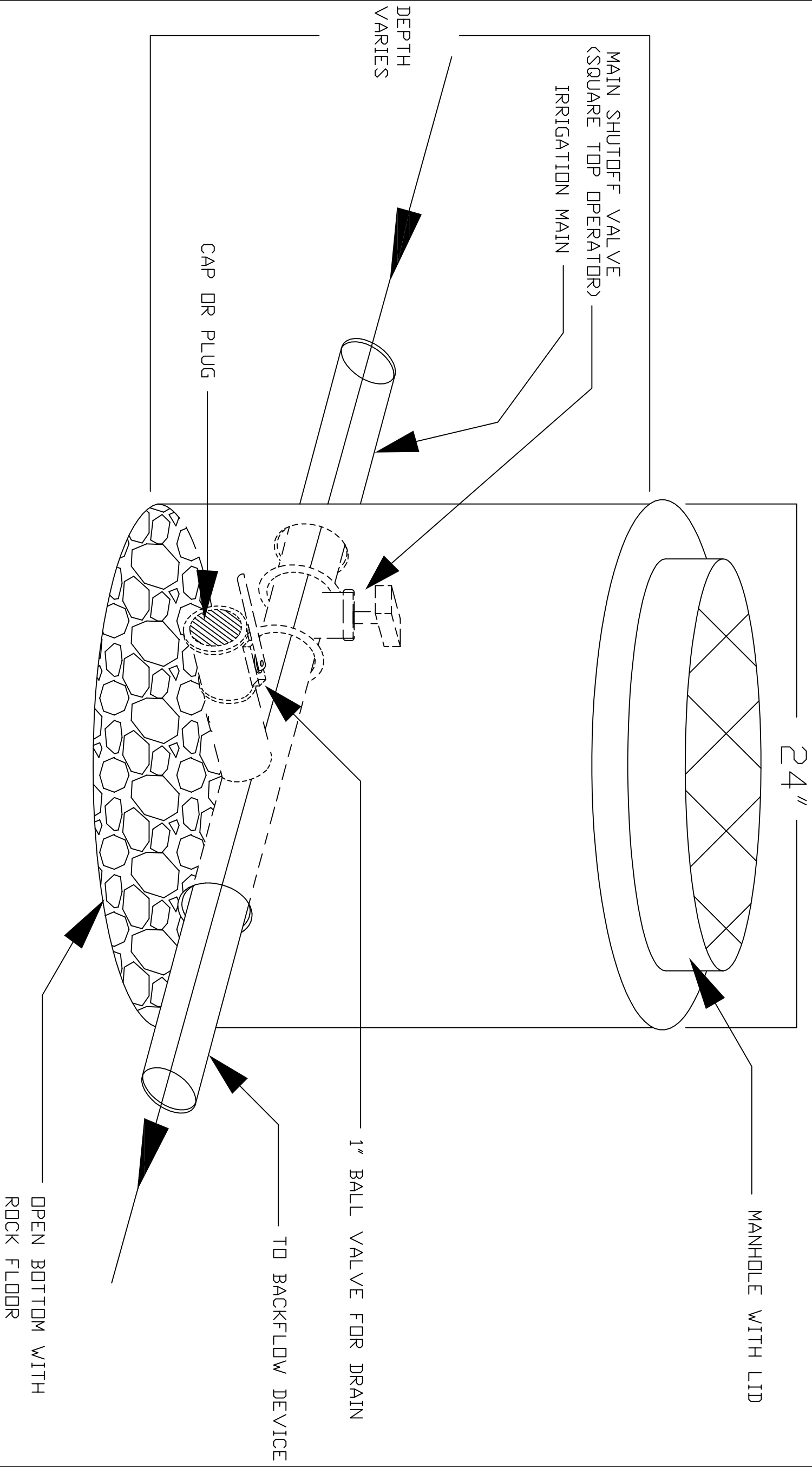


# IRRIGATION SHUT OFF AND DRAIN DOWN PIT



<b>BPBS</b> Denver Public Schools		<b>FACILITY PLANNING DEPT.</b> Asset Management Program	
DRAWN BY	ARCHIVES DEPT	<b>IRRIGATION SHUT OFF AND DRAIN DOWN PIT</b>	
DATE	09/28/2005	SCALE	DWG NO.
CHECKED		NOT TO SCALE	02810-14
DATE		REV	0
SHEET	1 OF		*