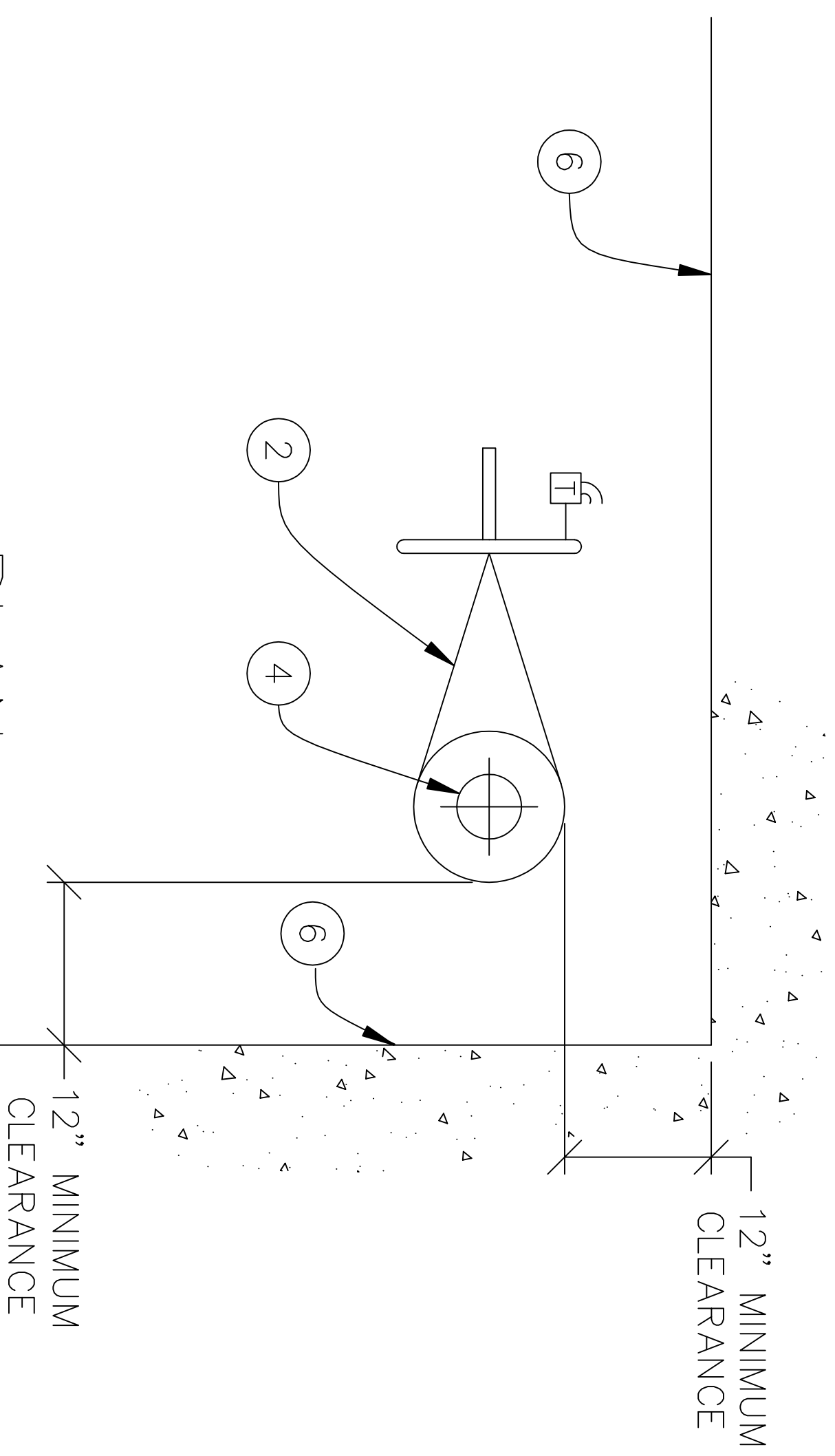


ELEVATION
NOT TO SCALE



PLAN
NOT TO SCALE

FLAG NOTES: ○

1. "IN LINE" DOUBLE CHECK BACKFLOW PREVENTER, FURNISHED AND INSTALLED BY CONTRACTOR.
2. OS&Y GATE VALVE WITH TAMPER SWITCH ON EACH VALVE WIRED TO THE FIRE ALARM SYSTEM.
3. FLANGE ADAPTER, "VICTAULIC" STYLE 741.
4. EXISTING OR NEW FIRE PROTECTION SUPPLY FROM EXTERIOR.
5. CONTRACTOR TO PROVIDE ADEQUATE SUPPORT AND BRACING FOR NEW DOUBLE CHECK BACKFLOW PREVENTER.
6. BUILDING WALL.
7. FINISHED FLOOR.
8. (FOR RETROFIT PROJECTS)
THE CONTRACTOR SHALL REMOVE SECTION OF EXISTING FIRE MAIN TO ALLOW THE INSTALLATION OF THE NEW DOUBLE CHECK BACKFLOW PREVENTER TO BE INSTALLED.
9. (NEW INSTALLATIONS) SCH. 40 GALVANIZED FLOOR SLEEVE 2 PIPE SIZES LARGER THAN SERVICE – CAULK WITH NON-HARDENING, ADHESIVE, WATER AND GAS TIGHT CAULKING.

NOTE: CONTRACTOR SHALL PROVIDE HYDRAULIC CALCULATIONS TO PROVE THE FIRE SYSTEM WILL PROVIDE REQUIRED PRESSURES AND DENSITY COVERAGE REQUIREMENTS WITH THE ADDITIONAL PRESSURE DROPS AND FLOW RESTRICTIONS IMPOSED BY THE ADDITION OF A BACKFLOW PREVENTER.

DENVER PUBLIC SCHOOLS DEPARTMENT OF FACILITIES MANAGEMENT	
DRAWN: DPS	BACKFLOW PREVENTER STANDARDS
CHECKED: DPS	VERTICAL INSTALLATION
APPROVED: DPS	INTERIOR FIRE SERVICE
DATE: 11/20/03	DOUBLE CHECK VALVE BFP DETAIL
SCALE: NONE	DWG. NO. 15432-FP01
	REV. 0
	SHEET: 1 OF 3