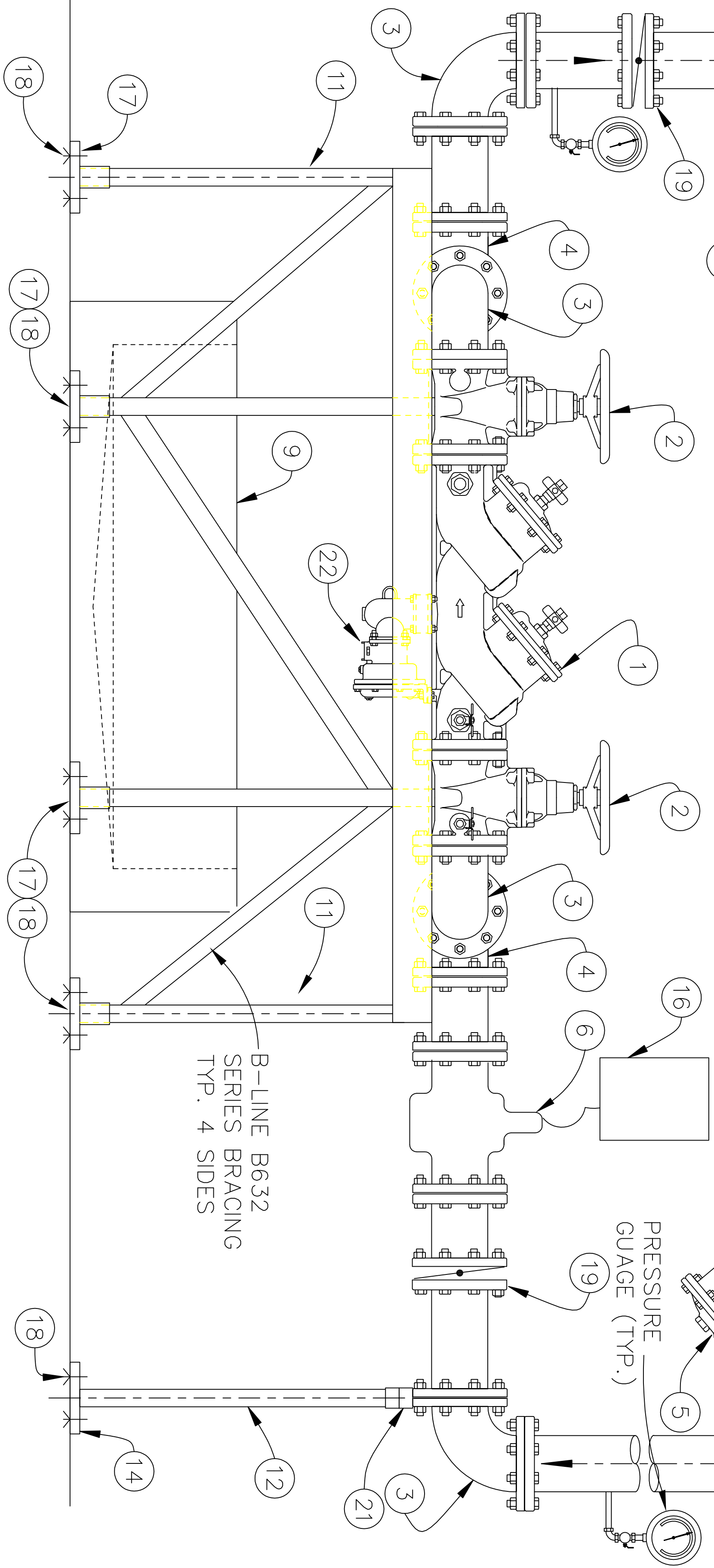


PLAN
NOT TO SCALE



ELEVATION
NOT TO SCALE

B-LINE BRACING
SERIES B632
TYP. 4 SIDES

PRESSURE
GUAGE (TYP.)

FLAG NOTES: ○

1. REDUCED PRESSURE BACKFLOW PREVENTER ASSEMBLY, EACH SIZED FOR 100% OF TOTAL DEMAND.
2. NON-RISING STEM GATE VALVE WITH SOFT SEATS FURNISHED WITH BACKFLOW PREVENTER.
3. FLANGED ELBOW.
4. FLANGED TEE.
5. FLANGED WYE STRAINER WITH PLUG.
6. SAFETY SHUTOFF VALVE WITH ASCO 24VAC COIL SOLENOID PILOT VALVE, BY CONTRACTOR.
7. NEW OR EXISTING DOMESTIC WATER ENTRY INTO BUILDING. VERIFY LOCATION & ELEVATION.
8. DOMESTIC WATER TO BUILDING FIXTURES.
9. RELIEF CONTAINMENT/WATER SENSOR BASIN. BASIN RIM HEIGHT WITHIN 18" FROM BOTTOM OF BACKFLOW DEVICE. SEE DETAIL ON DRAWING P3.
10. WATER FLOAT SENSOR MOUNTED IN CONTAINMENT BASIN. SEE DETAIL ON DRAWING P2.
11. B-LINE UNISTRUT SYSTEM, VERTICAL SUPPORTS-B22 MINIMUM. HORIZONTAL SUPPORTS-B111 MINIMUM. USE APPROPRIATE CORNER SUPPORT FITTINGS AND ANGLE BRACING.
12. PIPE SUPPORT OR PIPE STAND. 1½" DIA. STEEL PIPE MIN. SET PLUMB. PROVIDE ANGLE BRACING TO FLOOR. OPTION: UNISTRUT FRAME.
13. EXTEND 2" DIA. SUMP DRAIN TO FLOOR DRAIN. SEE FLOOR PLAN. SEE BASIN DETAILS ON P2 AND P3.
14. 6" x 6" x 3/8" FLOOR PLATE FOR PIPE STAND.
15. EXTEND WATER SENSOR FLOAT LEADS TO FLOOD CONTROL PANEL IN CONDUIT. SEE ANTI-FLOOD DIAGRAM ON DRAWING P1.
16. ANTI-FLOOD CONTROL PANEL WITH UPS. SEE DRAWING P1. PROVIDE CONDULET FITTING AT VALVE, ROUTE METAL FLEXIBLE CONDUIT TO PANEL FROM VALVE. PROVIDED BY DPS.
17. B-LINE POST BASE, B280SQ, 6"x6".
18. CONCRETE ANCHORS. 4 PER FLOOR PLATE.
19. WAFER CHECK VALVE WITH SOFT SEAT AND COMPANION FLANGES. MOUNT HORIZONTAL OR UPFLOW IN THE VERTICAL. PROVIDE 4 PIPE DIA. OF STRAIGHT PIPE ON EACH SIDE OF CHECK VALVE.
20. PROVIDE A NEW BUILDING (RESILIENT SEAT) N.R.S. SHUTOFF VALVE AT SERVICE ENTRY TO BUILDING AND DOWNSTREAM OF BFP'S AS INDICATED.
21. FLANGE SADDLE.
22. ATMOSPHERIC DISCHARGE
23. PROVIDE APPROPRIATE B-LINE PIPE ANCHOR.

DRAWN: DPS		DENVER PUBLIC SCHOOLS DEPARTMENT OF FACILITIES MANAGEMENT BACKFLOW PREVENTER STANDARDS INTERIOR INSTALLATION REDUCED PRESSURE BFP WITH DRAIN TO CONTAINMENT BASIN DETAIL	
CHECKED: DPS			
APPROVED: DPS			
DATE: 11/20/03			
SCALE: NONE	DWG. NO. 15431-P06	REV. 0	SHEET: 6 OF: 12