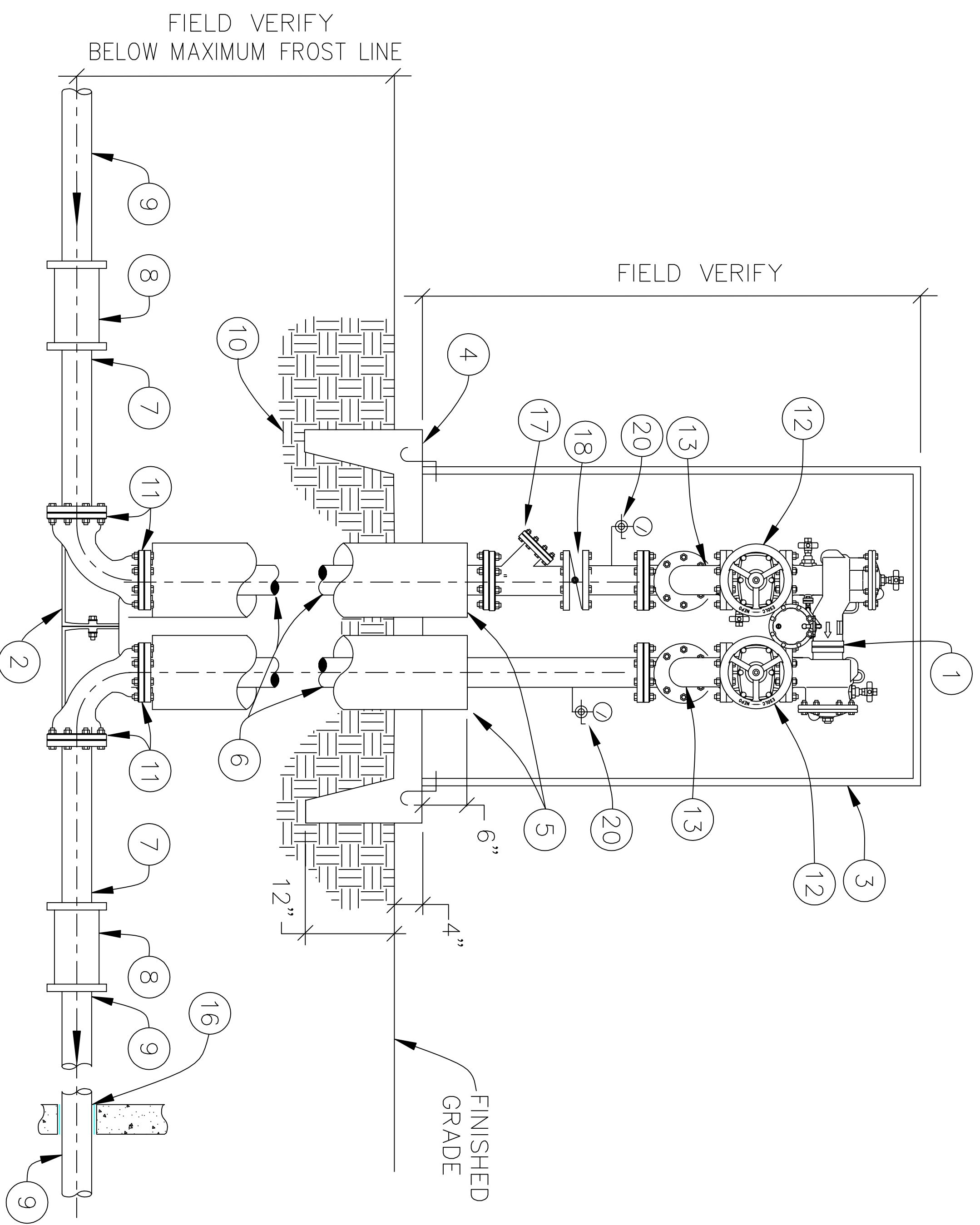
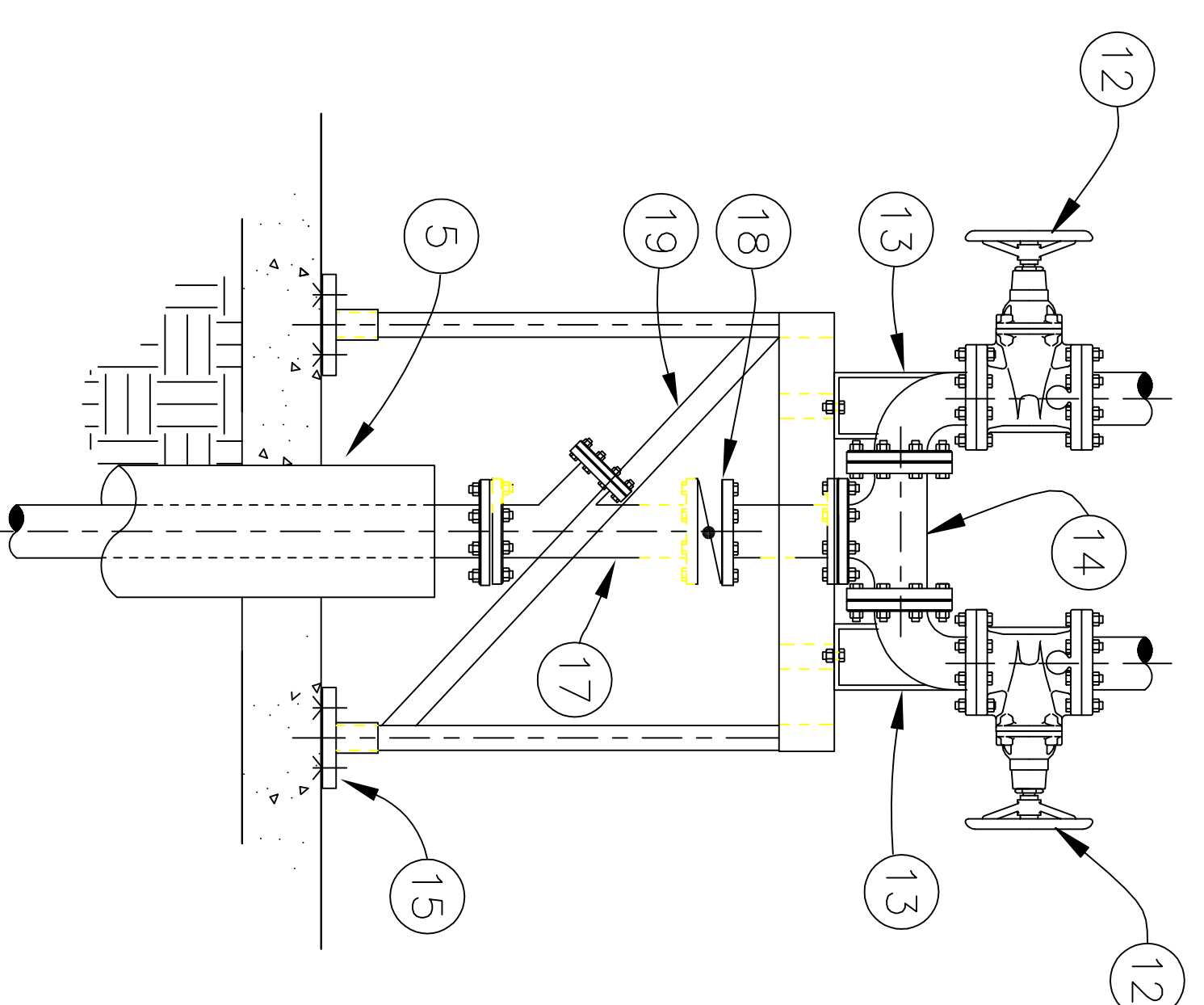


PLAN
NOT TO SCALE



ELEVATION "A"
NOT TO SCALE



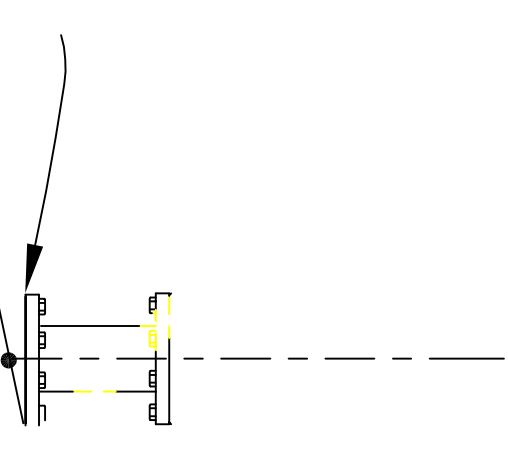
ELEVATION "B"
NOT TO SCALE

FLAG NOTES: ○

1. REDUNDANT REDUCED PRESSURE BACKFLOW PREVENTERS.
2. VALVE SETTER, MECHANICAL JOINT x MECHANICAL JOINT.
3. CUSTOM "HOT BOX" ENCLOSURE. HEAVY 14 GAUGE ALUMINUM, REDUNDANT 2000W, 120V, 1Ø HEATER. ENCLOSURE SIZED FOR TWO (2) REDUCED PRESSURE BACKFLOW PREVENTERS. MOUNT TO CONCRETE PAD WITH TAMPER PROOF FASTENERS.
4. 6" THICK CONCRETE PAD SIZED FOR "HOT BOX" ENCLOSURE. REINFORCE WITH #4 BARS, 6" ON CENTER EACH WAY.
5. PVC PIPE SLEEVE TO BELOW FROST LINE. SLEEVE TO EXTEND 6" ABOVE SLAB AND REMAIN OPEN ON TOP. SEAL AROUND SLEEVE AT SLAB WITH SILICONE SEALANT.
6. DUCTILE PIPE, PLAIN END x FLANGE, LENGTH TO BE FIELD DETERMINED.
7. DUCTILE IRON, PLAIN END x PLAIN END, LENGTH TO BE FIELD DETERMINED.
8. PIPE COUPLING.
9. NEW OR EXISTING DOMESTIC POTABLE WATER LINE.
10. BACK FILL SHALL BE COMPACTED IN 8" LIFTS TO 95% PROCTOR DENSITY TO FINISHED GRADE.
11. MECHANICAL JOINT WITH "MEGALUG" JOINT RESTRAINT OR EQUAL.
12. NRS GATE VALVE FURNISHED WITH BACKFLOW PREVENTER.
13. FLANGED ELBOW, SEPARATE. BOLT TO UNISTRUT.
14. FLANGED TEE.
15. CONCRETE ANCHORS, 4 PER FLOOR PLATE.
16. SLEEVE BUILDING WALL, "LINK SEAL" AROUND PIPE, CAULK WATER AND GAS TIGHT.
17. FLANGED WYE STRAINER WITH BLOW DOWN VALVE.
18. WAFER CHECK VALVE WITH SOFT SEAT AND COMPANION FLANGES. ALLOW 4 PIPE DIAMETERS OF STRAIGHT PIPE ON EACH SIDE OF CHECK VALVE.
19. PROVIDE ANGLE BRACING ON ALL 4 SIDES.
20. PRESSURE GAUGE.

UNISTRUT
SUPPORT NOTES:

1. HORIZONTAL, USE B-LINE B11.
2. VERTICAL, USE B-LINE B22.
3. FEET, USE B-LINE B-280SQ.
4. ANGLE BRACES, USE B-LINE B-632 SERIES.
5. USE APPROPRIATE CORNER AND ANGLE BRACES.
6. UNIT TO BE STURDY, NO MOVEMENT.



DRAWN: DPS		DENVER PUBLIC SCHOOLS DEPARTMENT OF FACILITIES MANAGEMENT BACKFLOW PREVENTER STANDARDS EXTERIOR COMPACT REDUCED PRESSURE BFP IN HOT BOX DETAIL			
CHECKED: DPS					
APPROVED: DPS					
DATE: rev 9-23-05					
SCALE: NONE					
DWG. NO.	15431-P09	REV.	0	SHEET:	9 OF 12